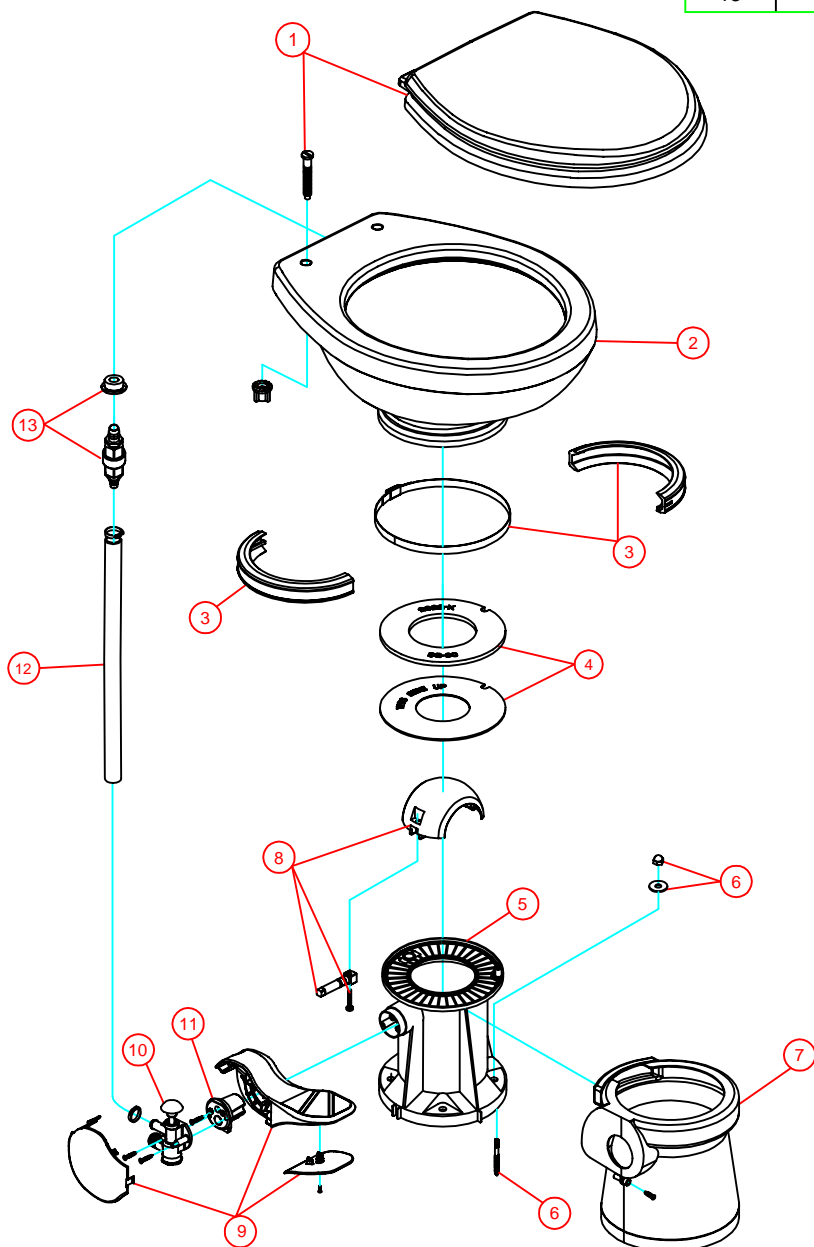


# PARTS LIST: VACUFLUSH 5047-5048-5049

ITEM	PART NO.	DESCRIPTION	ITEM	PART NO.	DESCRIPTION
1	385343829	SEAT & LID ASSEMBLY, WHITE	7	385310674	5047 PEDESTAL COVER KIT, WHITE
	385343831	SEAT & LID ASSEMBLY, BONE		385310613	5047 PEDESTAL COVER KIT, BONE
2	385311079	CHINA BOWL, WHITE		385310136	5048 PEDESTAL COVER KIT, WHITE
	385311080	CHINA BOWL, BONE		385310137	5048 PEDESTAL COVER KIT, BONE
3	385310048	HALF CLAMP KIT, BONE		385310904	5049 PEDESTAL COVER KIT, WHITE
4	385311462	KIT, SEAL KIT-VACUFLUSH		385310913	5049 PEDESTAL COVER KIT, BONE
5	385311084	5047 BASE KIT, WHITE (INC. 3-11)	8	385310954	KIT, BALL/BRASS SHAFT/P CART (INC. 11)
	385311085	5047 BASE KIT, BONE (INC. 3-11)	9	385310682	FLUSH PEDAL KIT-WHITE (INC. 11)
	385310910	5048 BASE KIT, WHITE (INC. 3-11)		385310762	FLUSH PEDAL KIT-BONE (INC. 11)
	385311086	5048 BASE KIT, BONE (INC. 3-11)	10	385314349	WATER VALVE KIT
	385310903	5049 BASE KIT, WHITE (INC.3-11)	11	385310683	SPRING CARTRIDGE KIT
385311087	5049 BASE KIT, BONE (INC. 3-11)	12	385345377	SUPPLY HOSE, WHITE	
6	385316323		MOUNTING KIT	385340177	SUPPLY HOSE, BONE
			13	385311456	INLINE CHECK VALVE, KIT



TOILET MODEL	DISCHARGE LOCATION
5047	OPPOSITE PEDAL
5048	REAR OF TOILET
5049	UNDER PEDAL