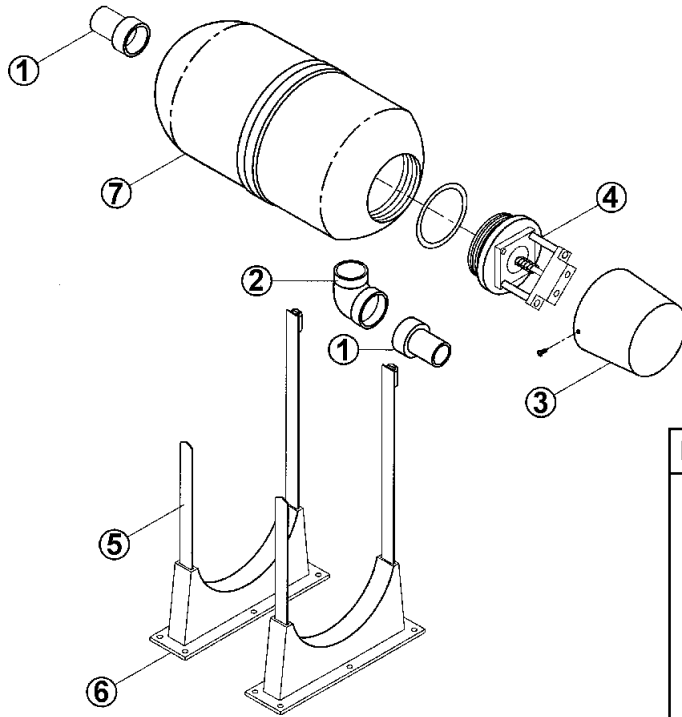
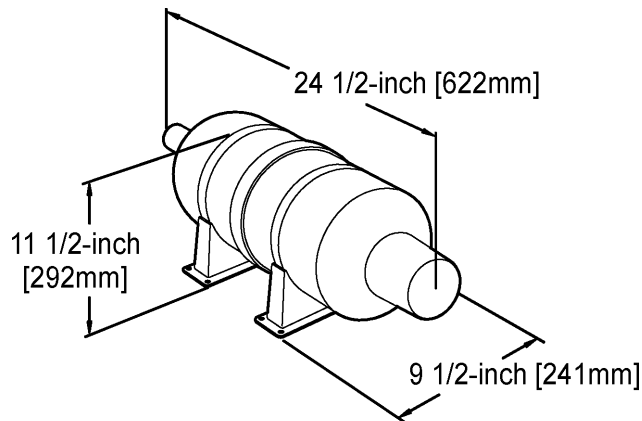


# VACUFLUSH® VACUUM TANK PARTS LIST, DIMENSIONS



Item	Part No.	Description
1	307341513	Insert Adapter
2	307341161	Street Elbow
3	600348037	Vacuum Switch Cover
4	385318032	Vacuum Switch Assembly
5	600346835	Snap Lock Clamp
6	600348361	Mounting Bracket
7	385310017	Vacuum Tank Kit (Includes 2 each Item 1 and 1 each Item 2)



TANK DIAMETER  
8 1/4-inch (206mm)



**Dometic Corporation • Sanitation Systems**  
 13128 State Rt. 226, P.O. Box 38  
 Big Prairie, OH 44611-0038 USA  
 330-496-3211  
 1-800-321-9886 • Fax: 330-496-3097