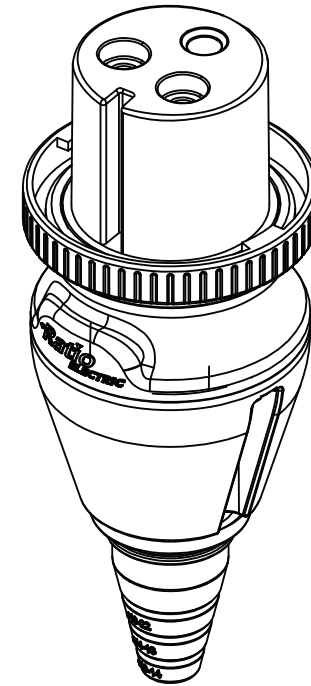


SECTION A-A



Part nr.	Description	Material
1	Power housing	PA V0
2	Ring	PA GF
3	Body	PA 6
4	Tule	EPDM

MP Connector 50A

MP50-110

Date: 15-07-2015

**Ratio**  
ELECTRIC

www.ratio-electric.com